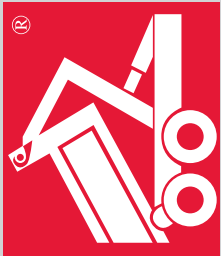


BIGAB

HOOK LIFT SYSTEM



 **FORS MW**
We make it easy

BIGAB® COLLECTION





Introduction

BIGAB is produced by FORS MW which develops, manufactures and markets small and medium sized, high quality, customer related products at a competitive price. Besides BIGAB products FORS MW also produces internationally recognized FARMA timber trailers and FARMA-N tractor processors. Fors MW customers operate in more than 50 countries around the world. Fors MW always strives to be at the forefront and, through that, offers the best combination of product development, quality and price.

BIGAB Hook Lift Systems are the best selling hook lift trailers in Europe. These trailers have proved

the good quality and have been customer's favourite now over 40 years. BIGAB product range includes hooklift systems, z-cranes, dump trailers and containers. The brand is an important and natural part of the daily agricultural, construction and community work.

Machinery is made for material handling to help customers to work more efficient and more profitably. To meet BIGAB users' needs all the products are continually developed and updated. Taking into account voice of the customers and our long experience in producing hook lift systems makes us market leader in our area.

Contents

BIGAB 7-10 / 8-12	3
BIGAB 10-14 / 12-15 / 14-17	4
BIGAB Generation 2 10-14 G2 / 12-15 G2	6
BIGAB 15-19 / 15-19T / 17-20	8
BIGAB 20-24 / 22-27	10
Dump Trailers	12
Z-Cranes	14
Containers.....	15
Equipment	16
Technical data	18



Please note that this catalogue is valid only for the specified country. In this catalogue we reserve the right to revise specifications without prior notice.

BIGAB 7-10

BIGAB 7-10 is a strong, stable but light and easily manoeuvrable trailer. Its versatility and strength make it the perfect choice for users who require trailer for lighter loads and tighter spaces such as working in residential areas, parks etc. It is one our best selling models.



STANDARD EQUIPMENT

- ▶ Mechanical pendulum bogie
- ▶ Drum brakes on 2 axles – Hydraulical
- ▶ Drawbar – Height adjustable
- ▶ Frame/bogie block – Hydraulical
- ▶ Back lights – LED
- ▶ Parking leg – Manual
- ▶ Hooking tower – Fixed
- ▶ Container lock – Mechanical

OPTION SUGGESTION



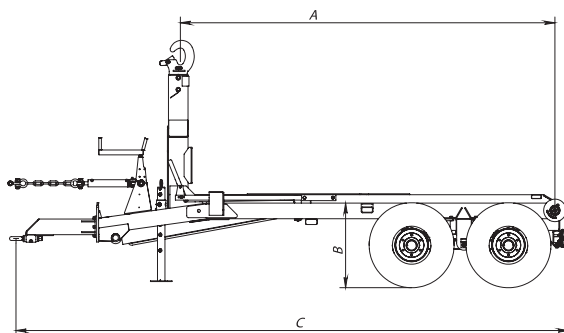
Different toolboxes



Tyre options

Option photos are only for illustrative purposes.

	7-10	8-12
Wheel dimension	400/60-15,5	400/60-15,5
Required tractor hydraulics	1 brake outlet: 2 double action	1 brake outlet: 2 double action
Max hooking capacity (kg)	7 000	8 000
Max tipping capacity (kg)	8 000	10 000
Suitable container length (mm)	4 150-4 600	4 150-4 600
Chassis weight: Standard equipment (kg)	2 000	2 200



Figures for the measurements are only for illustrative purposes.

	A (mm)	B (mm)	C (mm)
7-10	3 830	860	5 655
8-12	3 830	895	5 680

BIGAB 8-12

BIGAB 8-12 with its 40 years in service is a faithful servant indeed. It is light and versatile but has a strong frame and greater load capacity than the 7-10 model. Excellent for using together with wheel excavators, when a strong frame is required.



BIGAB 10-14

BIGAB 10-14 is the model which meets the quality and the demands of the professional operator. Even though extremely flexible, because of its design, this trailer has maximum strength and rigidity. It remains completely stable during both tipping and exchange operations. The 10-14 model is recommended when several different drivers work with the same unit. Thanks to the fixed tower and simple design, the trailer is reliable and easy to operate.



BESTSELLER!

BIGAB 12-15

BIGAB 12-15 has a foldable tower to enable greater exchange capability and a reduced pulling angle. This is the perfect choice when a flexible trailer with extra container exchange and loading capability is required. This model is used in a wide variety of areas from agriculture, energy, garbage disposal to installation and construction work.



OPTION SUGGESTION



Mudguards



Electric control valve

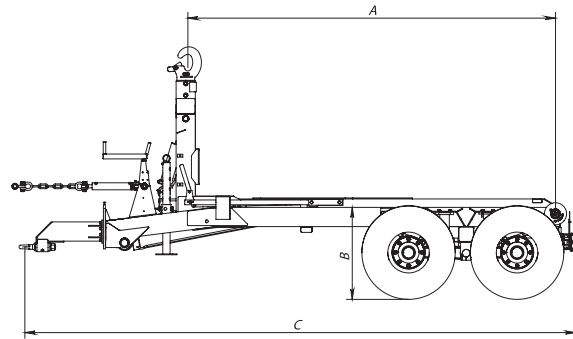


Double action outlets on the tower

STANDARD EQUIPMENT

- ▶ Drum brakes on 2 axle (Hydraulic)
- ▶ Drawbar – Adjustable
- ▶ Frame lock – Hydraulic
- ▶ Back lights – LED

10-14	12-15	14-17
▶ Mechanical pendulum bogie	▶ Mechanical pendulum bogie	▶ Sprung pendulum bogie
▶ Bogie block - Hydraulic	▶ Bogie block - Hydraulic	▶ Hooking tower - Foldable
▶ Hooking tower - Fixed	▶ Hooking tower - Foldable	▶ Parking leg - Hydraulic
▶ Parking leg - Manual	▶ Parking leg - Manual	▶ Tipping/hooking - Hydraulic
		▶ El. on/off valve 4 functions



	A (mm)	B (mm)	C (mm)
10-14	3 830	930	5 740
12-15	3 830	930	5 740
14-17	3 830	920	5 740

BIGAB 14-17

BIGAB 14-17 is basically the same as the 12-15 but is the perfect choice if you require a fully equipped variant, offering excellent return on your investment. This trailer is the obvious choice for transporting heavy loads over long distances; it is a trailer that rides well even on the poorest of roads.

	10-14	12-15	14-17
Wheel dimension	500/50-17	500/50-17	500/50-17
Required tractor hydraulics	1 brake outlet: 2 double action	1 brake outlet: 3 double action	1 brake outlet, Electric control valve, pressure and free return
Max hooking capacity (kg)	10 000	12 000	14 000
Max tipping capacity (kg)	12 000	13 000	14 000
Suitable container length (mm)	4 150-4 600	4 150-4 600	4 150-4 600
Chassis weight: Standard equipment (kg)	2 300	2 600	2 900

10-14 / 12-15 / 14-17

BIGAB 10-14 G2 / BIGAB 12-15 G2

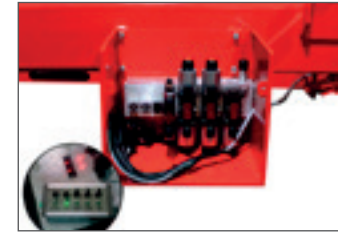
BIGAB 10-14 G2 and 12-15 G2 are the new Generation of hook lift systems. Generation 2 trailer is the best choice when you need to tip with the better angle. Tipping angle is 60° which is an increase of 12° to the Generation 1 models. The tipping speed is significantly improved. The trailer tips in half time of previous model. When tipping is done you simply lower it through the float/free flow position down to transport position. Patented design!



**IN STANDARD A POWERFUL
DUPLEX HYDRAULIC LOCK
FOR THE FRAME**

**DOUBLE CYLINDERS
FOR INCREASING THE
TIPPING ANGLE**

OPTION SUGGESTION



Electric function control



Different toolboxes



Mudguards



Z-Crane

STANDARD EQUIPMENT

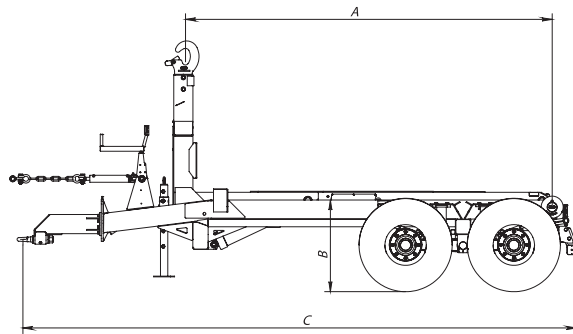
- ▶ Mechanical pendulum bogie
- ▶ Tipping/hooking – Hydraulic
- ▶ Drum brakes on 2 axles – Hydraulic
- ▶ Drawbar - Adjustable
- ▶ Frame lock - Hydraulic
- ▶ Bogie block – Hydraulic
- ▶ Back lights – LED
- ▶ Parking leg – Manual
- ▶ 10–14 G2 Hooking Tower – Fixed
- ▶ 12–15 G2 Hooking Tower – Foldable

BIGAB 10-14 G2

BIGAB 10–14 G2 is a versatile trailer for the driver in the construction, municipal and agriculture sector who values time and quality. Increased work efficiency through faster tipping and hooking cycles. You can't imagine it's speed until you have used it.

BIGAB 12-15 G2

BIGAB 12–15 G2 is the model which meets the quality and equipment availability demands of the professional operator. The folding tower adds extra bonus to this model due to the reduced angle of roll on roll off.



	A (mm)	B (mm)	C (mm)
10–14 G2	3 830	925	5 795
12–15 G2	3 830	930	5 795

	10–14 G2	12–15 G2
Wheel dimension	500/50-17	500/50-17
Required tractor hydraulics	3 double action 1 brake outlet	4 double action 1 brake outlet
Max hooking capacity (kg)	10 000	12 000
Max tipping capacity (kg)	11 750	12 000
Suitable container length (mm)	4 150-4 600	4 150-4 600
Chassis weight: Standard equipment (kg)	2 550	2 750



10-14 G2 / 12-15 G2



POPULAR CHOICE

BIGAB 15-19

BIGAB 15-19 is our faithful servant and continues to be one of our most popular models with huge numbers of satisfied customers. Its areas of use are numerous, ranging for agriculture, large industries and waste disposal to installation and construction work. This variant is perfect for those requiring a large trailer for a variety of transportation needs. This model can be compatible with truck style containers. A foldable tower and a strong frame combined with a simple design provide it with high capacity and excellent reliability. Extra equipment and a choice of tyres are available. It is designed for 5 500-6 000 mm container length.

BIGAB 15-19T

BIGAB 15-19 T is a flexible and versatile trailer. The exchange system is built with a telescopic tower which allows handling container lengths from 4 600-6 000 mm. The 15-19T is now taking a step up and becomes the reliable link between our smaller BIGAB models and larger. A hooklift that can combine both short containers for contracting work as well as longer ones for agricultural and trucking.



STANDARD EQUIPMENT

- ▶ Two hydraulical outlets on the tower
- ▶ Drum brakes on 2 axles – Hydraulic
- ▶ Drawbar – Adjustable
- ▶ Frame lock – Hydraulic
- ▶ Back lights – LED

15-19	15-19T	17-20
▶ Mechanical pendulum bogie	▶ Mechanical pendulum bogie	▶ Tandem parabolic bogie
▶ Bogie support – Mechanical	▶ Bogie support – Mechanical	▶ Tipping/hooksing – Hydraulic
▶ Bogie block – Hydraulic	▶ Bogie block – Hydraulic	▶ Hooking Tower – Foldable
▶ Tipping/hooksing – Mechanical	▶ Tipping/hooksing – Hydraulic	▶ Parking leg – Hydraulic
▶ Hooking Tower – Foldable	▶ Container lock – Hydraulic	▶ Mudguards – Front/rear
▶ Parking leg – Manual	▶ Hooking Tower – Telescopic	▶ ON/OFF Valve Functions
	▶ Parking leg – Manual	
	▶ EFC 4 functions	

OPTION SUGGESTION



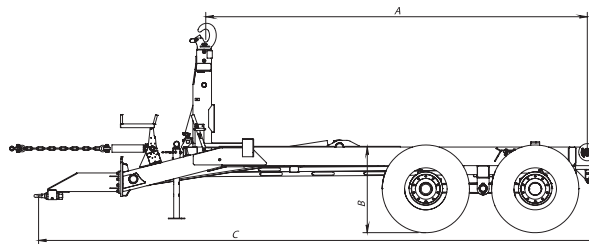
Airbrakes



Suspension

BIGAB 17-20

BIGAB 17-20 is a model with the same basic design as the 15-19 but which is fully equipped, most of the equipment being fitted as standard at the factory. BIGAB 17-20 is the perfect choice when a fully equipped, high specification trailer is required.



	A (mm)	B (mm)	C (mm)
15-19	5 130	1 150	7 520
15-19T	5 505	1 170	7 510
17-20	5 130	1 150	7 520

	15-19	15-19 T	17-20
Wheel dimension	500/50-17	500/50-17	600/50-22,5
Required tractor hydraulics	3 double action 1 brake outlet	1 brake outlet, 1 double action EFC	1 brake outlet, Electric control valve, pressure and free return
Max hooking capacity (kg)	16 000	16 000	17 000
Max tipping capacity (kg)	16 000	16000	17 000
Suitable container length (mm)	5 500-6 000	4 600-6 500	5 500-6 000
Chassis weight: Standard equipment (kg)	4 100	4 380	4 500

OPTION SUGGESTION



Steering axle



Z-Crane

BIGAB 20-24

Strong, economic design and good value for money are terms well fitted to the BIGAB 20-24; the trailer for those with heavy-duty transportation needs. Its many areas of use range from, for example, grit and sand transportation to crop harvesting. This model can be compatible with truck style containers. A strong pendulum bogie is fitted as standard equipment. There are several suspension alternatives available as optional equipment. There is also a wide range of tyres available to adapt the trailer perfectly for its task. In addition it is equipped with hydraulic control between tipping and exchange, hydraulic bogie blocking, half front and rear mudguards as well as an electric control valve for the hydraulic functions (pressure and free return) with a control unit in the cab for convenient use of all the trailer's functions. Two extra auxiliary functions can also be installed. The exchange system has a extending tower, which makes it possible to handle and tip container between 5 500-6 500 mm long.



OPTION SUGGESTION



Long suspension

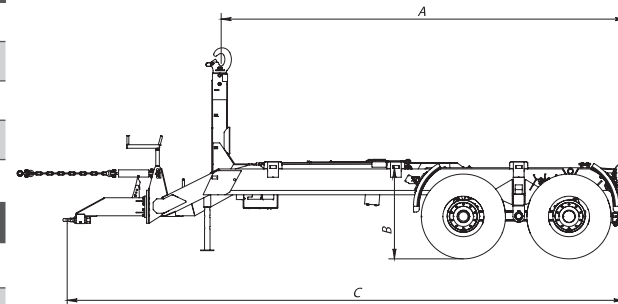


Z-Crane

STANDARD EQUIPMENT

- | | |
|--------------------------------------|--------------------------|
| ▶ Tipping/hooking – Hydraulic | ▶ Frame lock – Hydraulic |
| ▶ Double action outlets on the tower | ▶ Back lights – LED |
| ▶ Hooking Tower – Telescopic | ▶ Parking leg – Manual |
| ▶ Mudguards – Front/rear | |

20-24	22-27
▶ Mechanical pendulum bogie	▶ Tridem parabolic suspension
▶ Drum brakes on 2 axle (Hydraulic)	▶ Tractor, hydraulic reverse control of following steered axles
▶ Drawbar – Adjustable	▶ Drum brakes on 3 axle (Hydraulic)
▶ Bogie Support – Mechanical	▶ Drawbar – Suspended
▶ Bogie block – Hydraulic	▶ Container lock – Hydraulic
▶ Container lock – Mechanical	▶ ON/OFF Valve 6 Functions
▶ ON/OFF Valve 4 Functions	



	A (mm)	B (mm)	C (mm)
20-24	5 620	1 270	7 935
22-27	5 620	1 330	7 710



Option photos are only for illustrative purposes.

BIGAB 22-27

Are you in need of a larger trailer that can cope with continual hard work but which treats loads carefully? BIGAB 22-27 is perfect for you. This is a trailer that can be driven on public roads fully loaded but which makes very little impression on sensitive ground. The drawbar attachment is hydraulically sprung with an accumulator. If necessary the load can be transferred from the trailer to the tractor's drawbar. The steered axles are controlled from the tractor via a double-action outlet with floating position. BIGAB 22-27 is well equipped as standard.



	20-24	22-27
Wheel dimension	600/50-22,5	560/60-22,5
Required tractor hydraulics	1 brake outlet, Electric control valve, pressure and free return	1 brake outlet, Electric control valve, pressure and free return with one double action with floating position for steering
Max hooking capacity (kg)	20 000	21 000
Max tipping capacity (kg)	20 000	22 000
Suitable container length (mm)	5 500-6 500	5 500-6 500
Chassis weight: Standard equipment (kg)	4 500	6 600



BIGAB DUMP TRAILER

BIGAB dump trailer is a unique trailer on the market to offer easily adjustable bogie position to adjust drawbar load. It is adapted for wheeled excavators and tractors. The chassis is made of high strength steel and container body is made of wear resistant steel that makes the trailer strong but light.

After BT-8's huge success on the market induced an idea for bigger dump trailer. Most visible difference between these two trailers is the container size. The volume is 55% bigger for BT-10 compared to BT-8. Besides the sizes there is also difference in material: BT-10 is made of thicker Hard Wear steel. It also has bigger wheels for higher ground clearance. All this has added extra value for the end user.

Dump trailers are available from 8 tons up to 10 tons with the load capacity of 4 to 6,2 m³.



STANDARD EQUIPMENT

- ▶ Drawbar – Adjustable
- ▶ Manual parking leg
- ▶ Rear underrun protection
- ▶ Back lights – LED
- ▶ Slow moving vehicle sign
- ▶ Combi door
- ▶ Adjustable bogie

OPTIONS



Hydraulic tailgate



Combi door tailgate



Mechanical lifting tailgate
(Only for BT-8)



OPTION SUGGESTION



Sidelights



Headboard extension

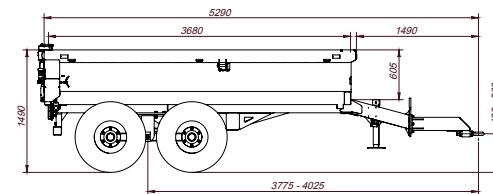


Tyre options

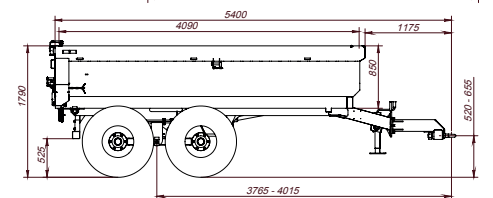
Option photos are only for illustrative purposes.

	BT-8	BT-10
Wheel dimension	400/60-15,5	500/50-17
Required tractor hydraulics:	1 outlet	1 outlet
Chassis weight: Standard equipment (kg)	1 815	2 550
Load capacity (m ³)	4	6,2
Max. payload (kg)	8 000	10 000
Total weight with load (kg)	9 815	12 500
Tipping angle (°)	60	60
Internal dimensions of load surface (mm)	3 670 X 2 200 X 500	4 090 X 2 205 X 685

BIGAB BT-8



BIGAB BT-10



BIGAB Z-CRANE

BIGAB Z-crane range offers cranes with the reach from 6,6 to 8 m. It is the only factory mounted Z-crane on the hooklift. The crane is designed to be parked in front of the tower in the transport position to increase visibility from the cab during tipping and exchange. Specifically developed for BIGAB.



OPTION SUGGESTION



Grapple buckets



Grapples



Radio controlled

	Z 6.6	Z 8.0
Reach (m)	6,6	8
Slewing angle (°)	380	380
Telescopic stroke length (m)	1,45	2,65
Weight incl. grapple bucket 160 L/ Weight of crane (kg)	1 012/820	1 062/870
Weight incl. grapple bucket 200 L/ Weight of crane (kg)	1 022/820	1 072/870
Weight incl. grapple 0,20*/ Weight of crane (kg)	952/820	1 000/870
Lifting force full length (excl. grapple/rotator) (kg)	750	590

*The weights include grapple, rotator and link

BIGAB offers a great range of containers from sizes 4,1 m up to 6 m for your everyday work. Our bestseller has been the HARDOX container for very hard every day work. It is built entirely in high strength steel, which makes the body more durable and more wear resistant. This container has combi door with hydraulic tailgate.

BIGAB 7-10, 10-14, 10-14 G2, 12-15, 12-15 G2, 14-17, 15-19T*					
	Part nr	Name	External measurements	Internal measurements	Weight kg
Containers with combi doors	700230	container with combi doors	4 150x2 550x700, B=6, S=4	4 030x2 420x695	1 400
	700233	container with combi doors	4 150x2 300x500, B=6, S=4	4 030x2 180x495	1 200
	700233-1	container combi doors, special	4 150x2 300x700, B=6, S=4	4 030x2 180x695	1 300
	700237*	container with combi doors	4 600x2 550x500, B=6, S=4	4 480x2 420x495	1 550
	700237-1*	container combi doors, special	4 600x2 550x700, B=6, S=4	4 480x2 420x695	1 650
Containers with hydraulic tailgate	700231	container with hyd-tailgate	4 150x2 550x700, B=6, S=4	4 030x2 420x695	1 500
	700232	container with hyd-tailgate	4 150x2 300x500, B=6, S=4	4 030x2 180x495	1 300
	700232-1	container hyd-tailgate, special	4 150x2 300x700 B=6, S=4	4 030x2 180x695	1 400
Containers with 2 side hanging doors	700234	container with side hanging doors	4 150x2 300x1 400	4 030x2 180x1 395	1 300
	700238*	container with side hanging doors	4 600x2 500x1 400, B=4, S=3	4 480x2 370x1 395	1 560
	700239*	container with side hanging doors	4 600x2 500x2 000, B=4, S=3	4 480x2 370x1 995	1 800
Container/ flat bed wooden plates on bottom	700236*	container protection of wood, wooden plates on bottom	No sides 4 600x2 550, B = 6.		1 700
Drop side containers	700235	container with folding sides and tailgate	4 500x2 450x460, B=4, S=3	4 380x2 320x455	1 640
	700235-1	container with folding sides, special	4 500x2 450x(2*460), B=4, S=3	4 380x2 320x910	1 790
Load carrier frame	700244	Load carrier frame	L=4 500	4 500x1 060x1 450	330

*15-19T Can take containers 4 600-6 500 mm

BIGAB 15-19, 15-19T, 17-20, 20-24**, 22-27**					
	Part nr	Name	External measurements	Internal measurements	Weight kg
Containers with combi doors	700240	container with combi doors	5 500x2 500x700, B=6, S=4	5 380x2 370x695	2 000
	700243	container with combi doors	6 000x2 550x1 000, B=6, S=4	5 880x2 420x995	2 300
Containers with hydraulic tailgate	700241	container with hyd-tailgate	5 500x2 500x700, B=8, S=6	5 380x2 370x695	2 550
	700242	container with hyd-tailgate	6 000x2 550x800, B=8, S=6	5 880x2 420x795	2 760
Load carrier frame	700245	Load carrier frame	L=6 000	6 000x1 060x1 450	660

**20-24 and 22-27 can take containers 4 600-6 500.

We reserve the right to revise specifications without prior notice.
According to local standards hook height can be different, i.e. 1 425, 1 450, 1 570 mm (pay attention before purchasing).



Container with combi door



Container with hydraulic tailgate



Container with 2 side hanging doors



Drop side container



Load carrier frame 4,5-6,0 m



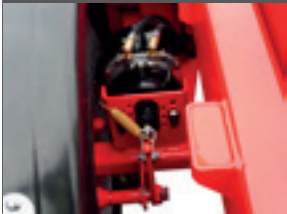
Flat bed

DRAWBAR



Various drawbar solutions for customer and legal requirements

BRAKES EQUIPMENT



BIGAB offers several types of brakes to suit an intended towing vehicle. We can provide hydraulic brakes, pneumatic brakes (positive/Tristop system) and a combination of the two.

VBG



BIGAB offers a variety of towing arrangements for both front and rear mounting, all adapted to suit customer particular needs.

HYDRAULIC CONTROL TIPPING/EXCHANGE



We can also provide hydraulic control between tipping and exchange for the models that do not have this as standard equipment. An alternative for those who would like to select tipping or exchange from the cab.

PARKING LEG



Three types of parking legs are available. A basic solution comprising a rigid leg with pin holes for various height settings for use when the tractor has a lift drawbar, a hydraulic leg operated via a single-action hydraulic outlet and a crank adjustable leg when there is a need to adjust the height to suit the towing vehicle.

FRAME STEERING



BIGAB can be equipped with a frame steered drawbar. Very useful when turning in limited spaces or even more so when reversing in tight spaces. Frame steering also makes it easier when reversing in order to pick up a container.

SIDE LIGHT



Various side light options for customer and legal requirements are available.

CONTAINER LOCK



BIGAB provides mechanical container locks as standard equipment but can also provide hydraulic locks to lock the container onto the frame. A hydraulic container lock is shown on the photo.

REAR LIGHTS



BIGAB provides lighting according to the respective country's legislation as standard equipment. If regulation permits, extra tail lights, number plate lights and a reversing signal can be fitted.

CHOICE OF ELECTRIC VALVE



In order to reduce the number of hoses to the tractor, BIGAB offers a range of in cab electric control valve options along with load sensing.

TOOLBOX



In order to enable convenient access to, for example, tensioning bands and other equipment, BIGAB can be provided with a substantial toolbox mounted on the side of the frame. Several toolboxes can be fitted on some models. We offer painted, stainless and plastic toolboxes.

BOGIE LIFT



Several types of hydraulic bogie lift are available for the majority of the trailers. This feature is advantageous, for example, when driving over sensitive ground and it is necessary to turn sharply. Note: The bogie lift may only be used when the trailer is not loaded.

MUDGUARDS



If you would like your trailer fitted with complete or half mudguards, we have various models to choose from depending on trailer variant and wheels. Mudguards help keep the trailer clean particularly when driving without a container since a container bridge helps reduce splash.

SUSPENDED DRAWBAR



We can provide a suspended drawbar to increase comfort when driving. This improves driving comfort by absorbing shocks transmitted from the trailer. BIGAB 22-27 includes this as standard equipment, but it is also available as an option on most models.

Option photos are only for illustrative purposes.

POWER-STEERED AXLES



BIGAB can also provide power-steered axles with hydraulic cylinders that sense the movement of the tractor automatically. Especially beneficially when precise steering of the trailer is required. The equipment requires a tractor adapted for the purpose.

SUSPENSION OPTIONS



BIGAB trailers can be equipped with a sprung bogie for increased comfort when driving on uneven surfaces, particularly at high speed, to the benefit of both driver and machine. Long suspension with the bigger wheel centre's gap is also available.

DOUBLE-ACTION HYDRAULIC OUTLET ON THE TOWER



Suitable equipment for use with a container with a hydraulic tailgate if you want to operate the tailgate when the container is removed from the trailer. The hoses go with the container down onto the ground, and make it possible, for example, to drive on a mini digger, close the tailgate and reload the container.

STEERED AXLES



Follow-steered or power-steered axles can be fitted to BIGAB units that have suspension. This reduces both tyre wear and disturbance of the ground. It also reduces the amount of pulling power required.

REMOTE RADIO FOR THE CRANE



A range of radio activated crane control are available.

REAR UNDERRUN PROTECTION



For the road safety we offer manually, hydraulically adjustable and fixed rear underrun protection.

Part number	Name	7-10	8-12	10-14-14-17	15-19	17-20	20-24	22-27	BT-8 dump	BT-10 dump	Tyre type
916513	Wheel 385/65R-22,5 10B/o				OPT.	OPT.	OPT.	OPT.			A
916515	Wheel 400/60-15,5 B6/-15	INCL.	INCL.						INCL.		A
9165258	Wheel 435/50R-19,5 8B/o			OPT.							D
916527	Wheel 445/65R-22,5 10B/o				OPT.	OPT.	OPT.	OPT.			D
916528	Wheel 19/45-17 6B/-70	OPT.	OPT.						OPT.		A
916529	Wheel 500/50-17 8B/o			INCL.							A
916530	Wheel 500/50R-17 8B/o			OPT.							A
916535-35	Wheel 500/50-17 TL 18PR 6B/-35									INCL.	A
916540L&R	Wheel 500/60-22,5 10B/-15				INCL.						B
916563L&R	Wheel 560/60-22,5 10B/o CntKing					OPT.	OPT.	OPT.			C
916566L&R	Wheel 560/60-22,5 10B/-50 CntKing				OPT.						C
916566L-1&R-1	Wheel 560/60R-22,5 10B/-50 BKT				OPT.						C
916563L-1&R-1	Wheel 560/60R-22,5 10B/-15 BKT					OPT.	OPT.	INCL.			C
916546L&R	Wheel 600/50R-22,5 TL 10B/o NOKIA					OPT.					B
916545L&R	Wheel 600/50R-22,5 TL 10B/-70 NOKIA				OPT.		OPT.				B
916545L-1&R-1	Wheel 600/50-22,5 TL 10B/-70 BKT				OPT.		INCL.				B
916546L-1&R-1	Wheel 600/50-22,5 TL 10B/o BKT					INCL.					B
916565L&R	Wheel 620/60R 26,5-10B imp-120 CntKing						OPT.				C
916548L&R	Wheel 650/50R-22,5 TL 10B/-70 CntKing						OPT.	OPT.			C
916550L&R	Wheel 700/50R-26,5 TL 10B/-120 CntKing						OPT.				C



A



B



C



D

* For more information about different extra options visit www.forsmw.com

	7-10	8-12	10-14	10-14 G2	12-15	12-15 G2	14-17	15-19	15-19T	17-20	20-24	22-27
Wheel dimension	400/60-15,5	400/60-15,5	500/50-17	500/50-17	500/50-17	500/50-17	500/50-17	500/60-22,5	500/60-22,5	600/50-22,5	600/50-22,5	560/60-22,5
Width across the wheels (mm)	2 100	2 100	2 300	2 300	2 300	2 300	2 400	2 450	2 450	2 630	2 660	2 590
Chassis length (with drawbar) (mm)	5 700	5 700	5 700	5 800	5 700	5 800	5 700	7 500	7 500	7 500	7 800	7 500
Total weight (kg)	10 000	12 300	14 300	14 300	15 600	14 750	17 000	20 100	20 380	21 500	24 500	28 600
Chassis weight: standard equipment (kg)	2 000	2 200	2 300	2 550	2 600	2 750	2 900	4 100	4 380	4 500	4 500	6 600
Max load including container (kg)*	8 000	10 000	12 000	11 750	13 000	12 000	14 000	16 000	16 000	17 000	20 000	21 000
Max hooking capacity (kg)*	7 000	8 000	10 000	10 000	12 000	12 000	14 000	16 000	16 000	17 000	20 000	22 000
Max tipping capacity (kg)*	8 000	10 000	12 000	11 750	13 000	12 000	14 000	16 000	16 000	17 000	20 000	22 000
Required tractor hydraulics: 1 brake outlet	2 double action	2 double action	2 double action	3 double action	3 double action	4 double action	1 double action, free return	3 double action	1 double action, free return	1 double action, free return	1 double action, free return	1 double action, free return
Oil Volume: Minimum available oil, with full system (L)	6	8	8	23	10	27	10	18	22	19	23	23
Max working pressure (MPa)*	17	17	22	21	22	21	22	21	21	22	22	22
Tipping angle (°)	48	48	48	60	48	60	48	51	51	51	51	51
Container length (mm)	4 150-4 600	4 150-4 600	4 150-4 600	4 150-4 600	4 150-4 600	4 150-4 600	4 150-4 600	5 500-6 000	4 600-6 500	5 500-6 000	5 500-6 500	5 500-6 500
Standard speed limit (km/h)**	Speed limit is up to specifications											

More information about the technical data can be found here www.forsmw.com

* Max load cases when operating the hooklift system and tipping are stated.

** Speed limit depends on local laws.

Numbers can be rounded off to the nearest whole number.

The weights given refer to the technical capacity of the model (local regulations must be taken into account).

We reserve the right to revise specifications without prior notice.



NOTES



BIGAB
HOOK LIFT SYSTEM

www.cs-reklam.com
EN-1809



Manufacturer

 **FORS MW**
We make it easy

www.forsmw.com

info@forsmw.com

Dealer

